

### Features

- Rainhead with wireless speaker streams your personalized music playlists, news and other audio in the shower.
- Syncs with devices enabled with BLUETOOTH® wireless technology including smart phones, MP3 players, tablets and laptops located up to 33 feet away.\*
- Total harmonic distortion: 1.5 watts at 1kHz with < 1% distortion.
- Water-resistant wireless speaker pops in and out of rainhead for easy recharging.
- Wireless speaker can be used outside the shower space, independent of the rainhead, to stream music in any room.
- 80 angled nozzles deliver a full-coverage, enveloping spray
- Soft silicone sprayface is easy to clean.
- 2.5 gpm (gallons per minute) flow rate
- 1/2-inch NPT connection.
- Includes showerhead, wireless speaker, speaker stand and micro USB charging cable.
- 

### Material

- KOHLER finishes resist corrosion and tarnishing.

### Installation

- Wall-mount



### Codes/Standards

ASME A112.18.1/CSA B125.1  
DOE - Energy Policy Act 1992  
California Energy Commission (CEC)

### KOHLER® One-Year Limited Warranty

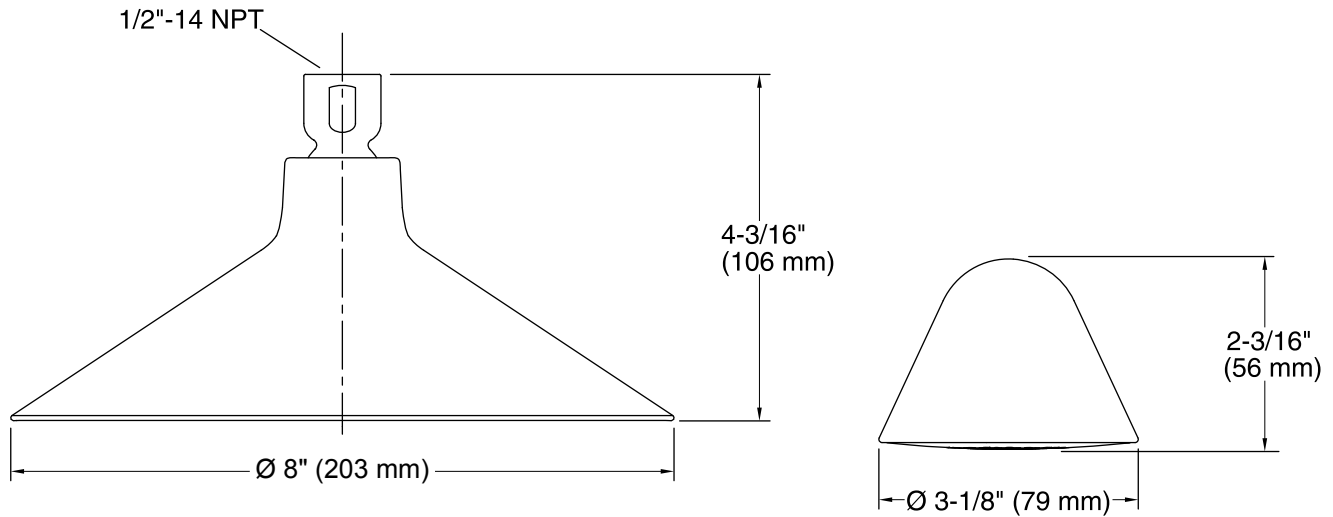
See website for detailed warranty information.

\*The BLUETOOTH® word mark and logos are registered trademarks owned by Bluetooth SIG, Inc. and any use of such marks by Kohler Co. is under license. Other trademarks and trade names are those of their respective owners. \*The BLUETOOTH® word mark and logos are registered trademarks owned by Bluetooth SIG, Inc. and any use of such marks by Kohler Co. is under license. Other trademarks and trade names are those of their respective owners.

### Available Color/Finishes

*Color tiles intended for reference only.*

Color	Code	Description
	CP	Polished Chrome
	BN	Vibrant® Brushed Nickel
	2BZ	Oil-Rubbed Bronze
	0	White



### Technical Information

All product dimensions are nominal.

#### Showerhead:

Rated maximum flow: 2.5 gal/min (9.5 l/min)

### Notes

Install this product according to the installation guide.

Observe all local plumbing and building codes.

A BLUETOOTH wireless device is required to stream music.

Use with an automatic compensating valve rated 2.0 gpm (7.6 L/min) or less.