



**Devonshire®**  
Under-mount Bathroom Sink  
**K-2350**

**Features**

- Oval basin.
- Coordinates with other products in the Devonshire collection.

**Material**

- Vitreous china.

**Installation**

- No faucet holes; requires wall- or counter-mount faucet.
- Undermount.

**Recommended Products/Accessories**

- K-9018 P-Trap
- K-23726 Drain treatment
- K-23725 Cast iron cleaner

**Included Components**

- Additional Components:  
1193643 Basin clamps



**ADA** **CSA B651**

**Codes/Standards**

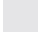






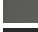
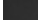
- ASME A112.19.2/CSA B45.1
- ADA
- ICC/ANSI A117.1
- CSA B651

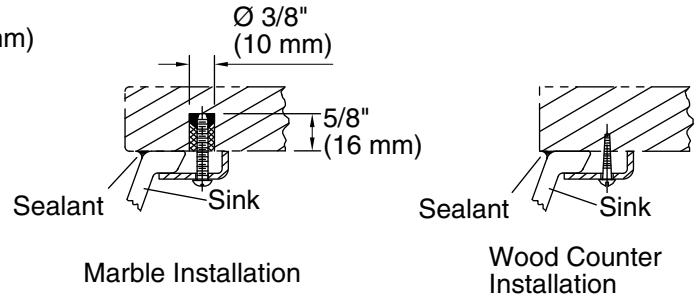
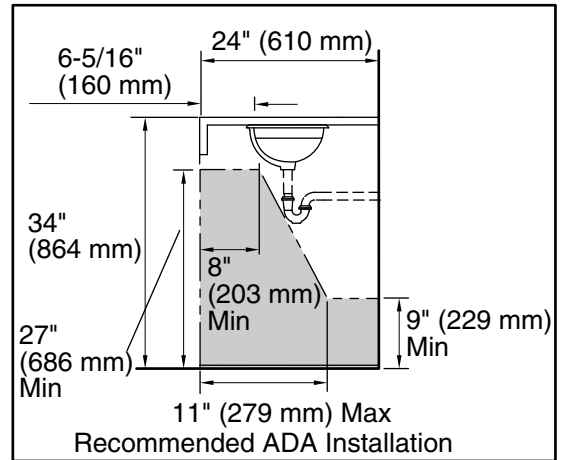
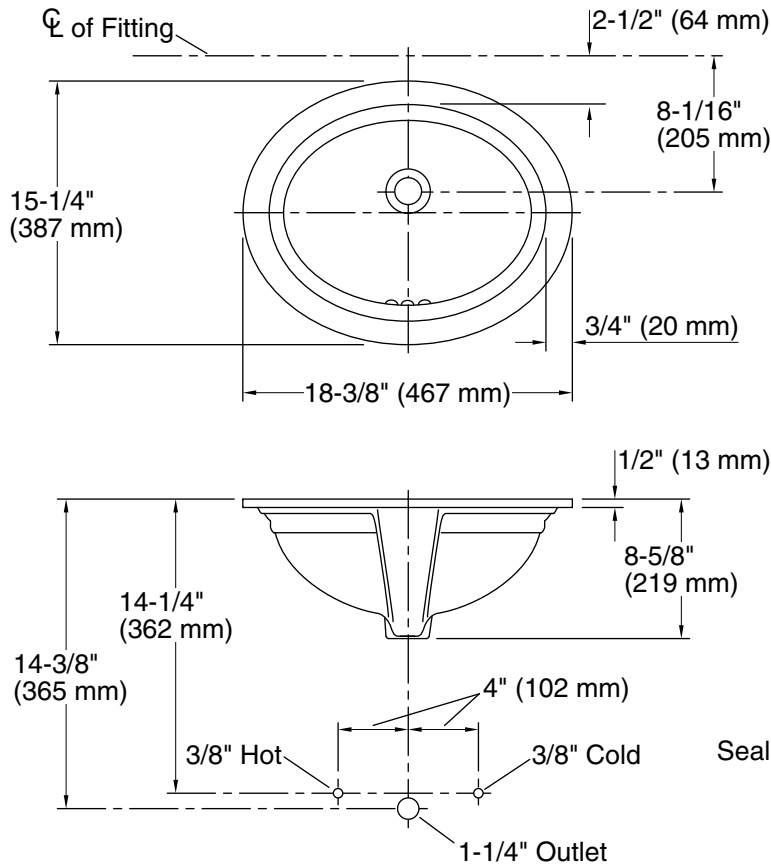
**KOHLER® One-Year Limited Warranty**

See website for detailed warranty information.

**Available Colors/Finishes**

*Color tiles intended for reference only.*

Color	Code	Description
	0	White
	96	Biscuit
	47	Almond
	NY	Dune
	95	Ice™ Grey
	G9	Sandbar
	33	Mexican Sand™
	58	Thunder™ Grey
	7	Black Black™



### Technical Information

All product dimensions are nominal.

Bowl configuration:	Single
Installation:	Under-mount
Bowl area (Only):	Length: 16-7/8" (429 mm) Width: 13-11/16" (348 mm) Water depth: 4-3/16" (106 mm)
Drain hole:	1-3/4" (44 mm)
Template:	1289470-7, required, not included

### Notes

Install this product according to the installation instructions.

**NOTICE:** Countertop manufacturer or cutter must use the current product template available at [www.kohler.com](http://www.kohler.com), or by calling 1-800-4KOHLER. Kohler Co. is not responsible for cutout errors when the incorrect cutout template is used.

ADA, CSA B651 compliant when installed to the specific requirements of these regulations.