

### Features

- Rectangular basin.
- Overflow drain.
- No faucet holes; requires wall- or counter-mount faucet.
- Coordinates with other products in the Kathryn collection.

### Material

- Vitreous china.

### Installation

- Under-mount

### Included Components

Additional Components:

1193643 Basin clamps



ADA

CSA B651

### Codes/Standards

ASME A112.19.2/CSA B45.1

All applicable US Federal and State material regulations

ADA

ICC/ANSI A117.1

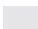









CSA B651

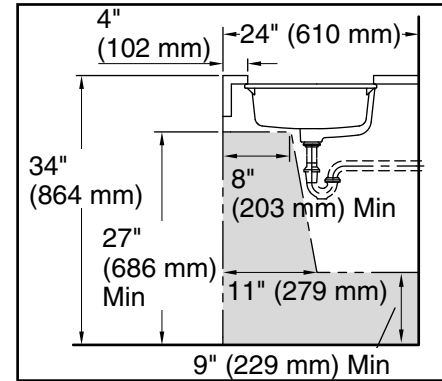
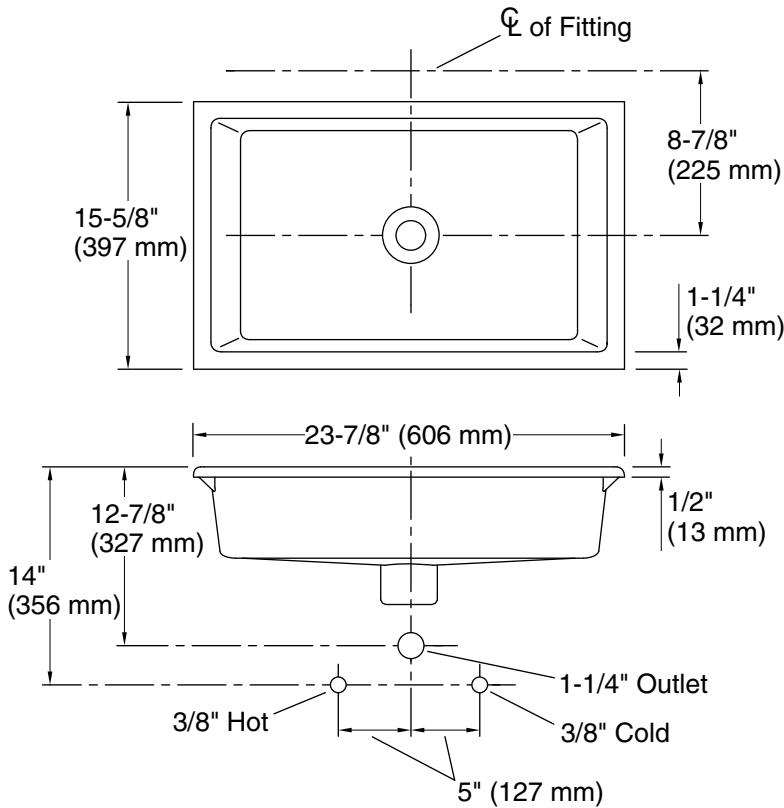
### KOHLER® One-Year Limited Warranty

See website for detailed warranty information.

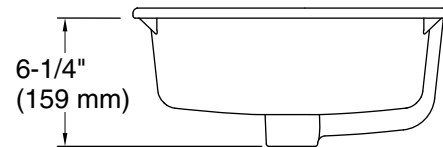
### Available Colors/Finishes

*Color tiles intended for reference only.*

Color	Code	Description
	0	White
	96	Biscuit
	47	Almond
	NY	Dune
	95	Ice™ Grey
	G9	Sandbar
	33	Mexican Sand™
	K4	Cashmere
	58	Thunder™ Grey
	7	Black Black™



Recommended ADA Installation



### Technical Information

All product dimensions are nominal.

Bowl configuration:	Single
Installation:	Under-mount
Bowl area (Only):	Length: 21-3/8" (543 mm) Width: 13-1/8" (333 mm) Bowl depth: 4-7/8" (123 mm) With overflow: Yes
Water depth:	3-5/16" (84 mm)
Drain hole:	1-3/4" (44 mm)
Template:	1241343-7, not required, included

### Notes

Install this product according to the installation instructions.

**NOTICE:** Countertop manufacturer or cutter must use the current product template available at [www.kohler.com](http://www.kohler.com), or by calling 1-800-4KOHLER. Kohler Co. is not responsible for cutout errors when the incorrect cutout template is used.

Select a faucet with a minimum spout reach of 4-5/8" (117 mm). Refer to the faucet rough-in dimensions to ensure the spout will reach over the bathroom sink rim into the basin.

ADA, CSA B651 compliant when installed to the specific requirements of these regulations.