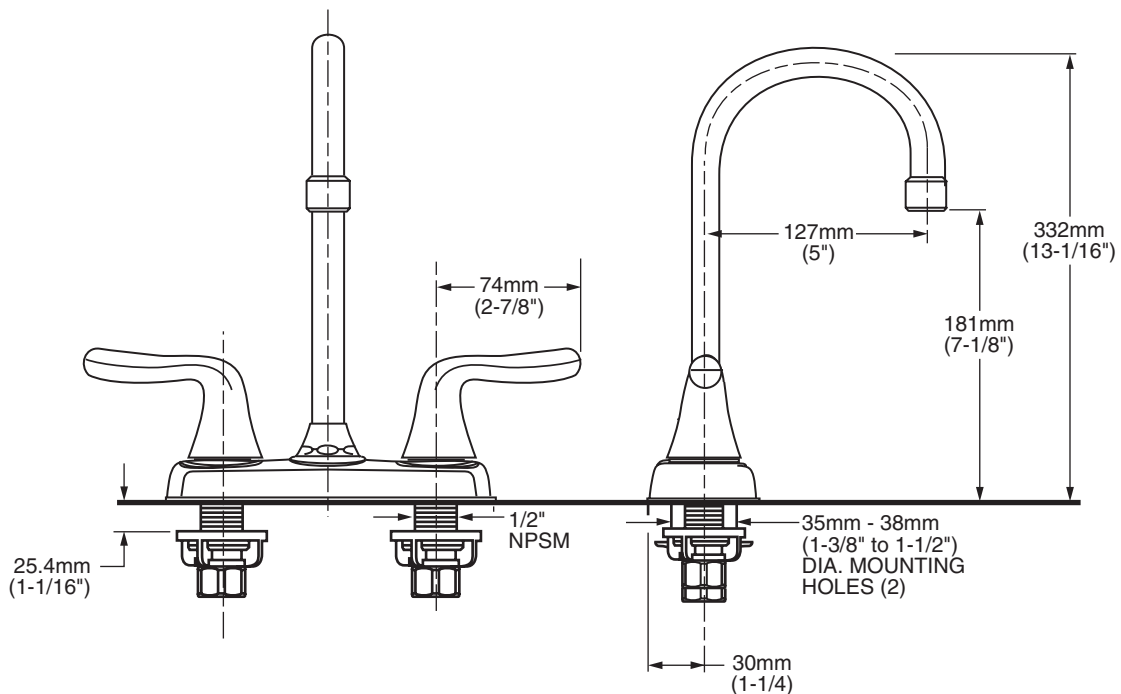




MODEL NUMBER:

- **2475.500 Centerset Bar Sink Faucet**
Lever handles.



GENERAL DESCRIPTION:

Durable brass construction. 1/4 turn washerless ceramic disc valve cartridges. One-half inch male inlet shanks with brass coupling nuts. Brass gooseneck swivel spout. 2.2gpm/8.3L/min. maximum flow rate.

PRODUCT FEATURES:

Ceramic Disc Valve Cartridges: Assures a lifetime of drip-free performance.

Solid Brass Construction: Durable. Ideal for prolonged contact with water.

Lead Free: Faucet contains $\leq 0.25\%$ total lead content by weighted average.

Choice of Finishes: Available in Polished Chrome or Satin Nickel (PVD).

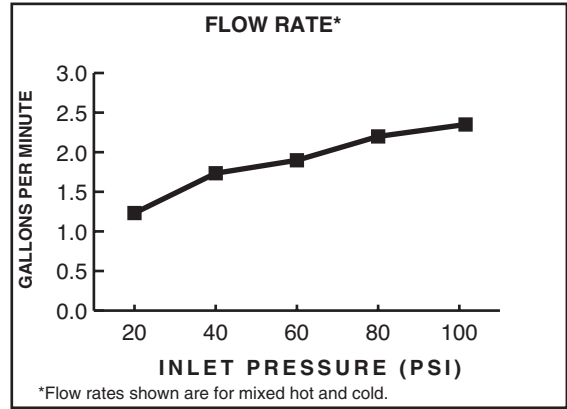
SUGGESTED SPECIFICATION:

Centerset bar sink faucet shall feature brass construction with brass inlet shanks and brass coupling nuts. Shall also feature 1/4 turn washerless ceramic disc valve cartridges. Fitting shall be American Standard Model # 2475.500.____.

CODES AND STANDARDS


These products meet or exceed the following codes and standards:

- ANSI A117.1**
- ASME A112.18.1**
- CSA B 125**
- NSF 61/Section 9 & Annex G**



Product Number	Description	Finish Options	
		Polished Chrome	PVD Satin Nickel
		002	295
2475.500	Bar Sink faucet. Lever handles.		



 Meets the American Disabilities Act Guidelines and **ANSI A117.1** Requirements for the physically challenged.